

Paxton *AT Series* High Performance Centrifugal Blowers

The Leader in Drying Solutions!

ULTIMATE PERFORMANCE 7.5 - 20 HP MODELS

BEST IN CLASS RELIABILITY

SUPERIOR ENERGY EFFICIENCY



F E A T U R E S

- Some Paxton customers realized a 13-month ROI
- Reduce energy consumption dramatically with a state-of-the-art impeller profile
- Generates more airflow at higher pressures that other blowers many times their size can't match.
- Paxton's centrifugal blowers produce clean, dry and oil-free air flows for true peak performance in the most demanding applications.
- Complete customer satisfaction or we'll upgrade your system at our expense.

ELIMINATE COMPRESSED AIR CONSUMPTION SAVES ENERGY!

AVAILABLE:

7.5 HP (5.5 kW)
10 HP (7.4 kW)
15 HP (11.1 kW)
20 HP (14.9 kW)

Paxton's Performance Guarantee ensures complete customer satisfaction or we'll upgrade your system at our expense. Paxton's superior centrifugal blower design generates more airflow at higher pressures and vacuums for power and efficiency that other blowers many times their size can't match. They produce clean, dry and oil-free air flows to 1,200 cfm, pressure to 100" H₂O and vacuum to 100" H₂O (g) for true peak performance in the most demanding applications.

Paxton's Best in Class, 3-Year Warranty backs every blower we manufacture. Constructed of the highest quality parts that are held to the strictest standards, every Paxton blower undergoes comprehensive performance, vibration and noise testing before leaving our factory. Paxton blowers passed rugged 8,000-hour military durability tests. They are used in the U.S. Navy nuclear submarine fleet's critical breathing air movement systems.

Paxton AT Series Centrifugal Blowers – Your Air System Solution



AT-1200

SUPERIOR ENERGY EFFICIENCY

- Paxton blowers reduce energy consumption dramatically with a state-of-the-art impeller profile that achieves peak performance levels at lower operating speeds—up to 20%.
- Some Paxton customers have reduced operating costs by up to 66% after replacing inefficient regenerative blowers with Paxton AT-Series Centrifugal Blowers.
- Less efficient blowers require 10-25% higher rpm to achieve comparable output, which causes substantially higher wear, maintenance, energy consumption, noise and overall operating costs.

SPACE-SAVING DESIGN:

Powerful yet compact, Paxton centrifugal blowers offer versatile mounting and outlet positions for tight spaces.

EASY INSTALLATION:

Our compact design means easy installation. We also offer a full range of Zero Loss pipe adapters, elbows, hoses, connectors and other installation accessories.

MINIMAL MAINTENANCE:

Our innovative, oil-free design and self-tensioning belt minimize maintenance time and costs. The self-tensioning belt can be changed in one minute with simple tools.

QUIETER OPERATION:

Advanced engineering and precision manufacturing reduce vibration and noise on our OSHA-compliant blowers.

COMPLETE LINE OF ACCESSORIES:

Paxton AT-Series Blowers are complemented by a full line of air filters and sound-abating blower enclosures.



AT-1200



AT-1200

INDUSTRY-BEST BLOW-OFF & DRYING SYSTEMS:

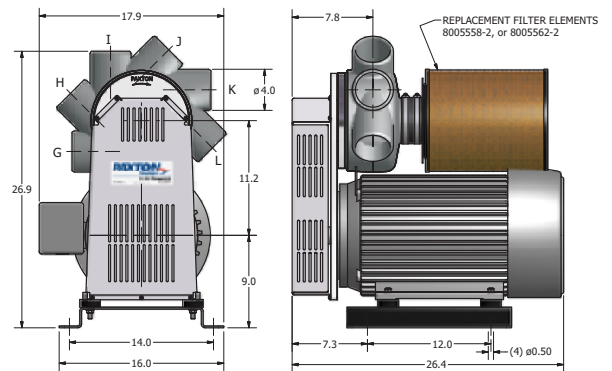
Paxton enjoys a worldwide reputation for 100% guaranteed performance in drying and blow-off applications. We combine our powerful AT Series Blowers with our own line of Air Knives and Nozzle Manifolds to produce a uniform sheet of high velocity air that quickly sheers off and atomizes moisture at product speeds of up to 1000 FPM.

VERSATILE APPLICATION OPTIONS:

Paxton AT-Series Blowers are extremely versatile and can be configured for vacuum hold down, conveying and many other applications. Wash-down capabilities, water-cooled bearing housings for environments up to 325°F and other options are available.

EXPERT ADVICE:

Our application engineers will work closely with you to custom design a turnkey air system solution that will serve your unique needs for many years to come.

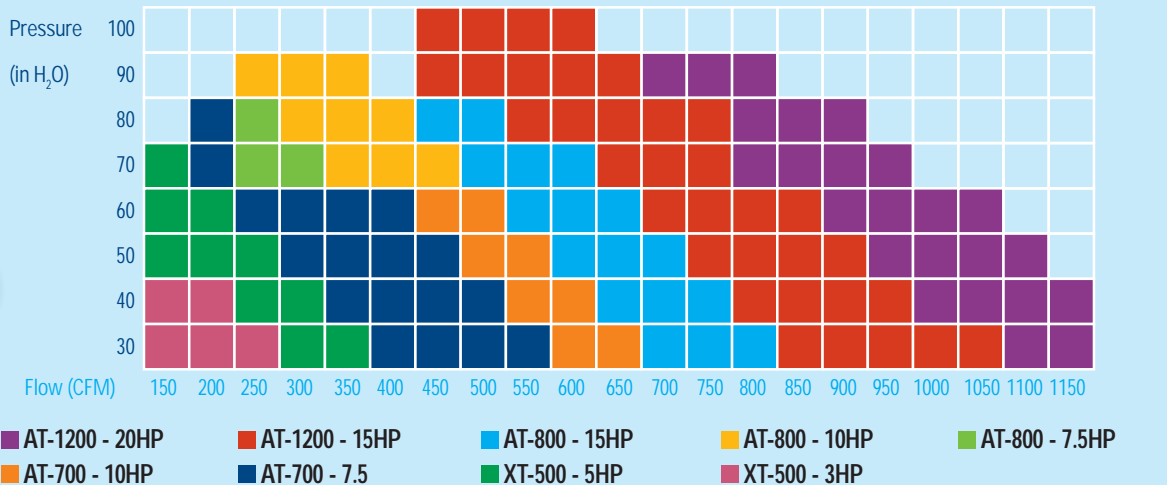


AT-1200 20HP

100%
PERFORMANCE
GUARANTEE

PAXTON
PRODUCTS

If the systems we've quoted don't perform as expected, we will upgrade them at our expense until it meets or exceeds your requirements.



CHOOSE A SYSTEM FOR YOUR APPLICATION

This chart will help you find the AT-Series Blower and motor horsepower needed for your air pressure and flow specifications

If you need additional data, have questions, or would like assistance in sizing a blower or exhauster for your application or equipment, please don't hesitate to contact us. Our technical service staff and sales representatives are here to help, and we look forward to serving you.

CONTACT
INFORMATION

Application Associates

252 Lackland Dr – PO Box 488 – Middlesex, NJ 08846
Phone 732.627.9400 – Fax 732.627.9401



Leading the science of high performance drying