

Application Associates

252 Lackland Drive, Middlesex, NJ 08846
Phone 732-627-9400 – fax 732-627-9401



Centrifugal Blowers, Air Knives & Drying Systems

Designed, built and perfected on a heritage of racing

AIR KNIFE DRYING SYSTEMS

PARTS DRYING & BLOW-OFF

Paxton Air Knife Drying Systems use significantly less energy than a standard high-pressure plant air system while doing a much more effective job. At the heart of the air knife system is a Paxton high speed, single stage centrifugal blower, designed for continuous duty. It delivers an accurate, constant and pre-determined volume and velocity of air. Paxton blowers, with automatic belt tensioning, provide operating speeds of 10,000 to 19,000 RPM at pressures of 14 to 111 inches of water and delivers 70 to 1150 CFM. The clean, dry, oil-free air from the blower is channeled through the Paxton air knives, removing 95% to 100% of the liquid from the product's surface.

With a wide choice of motor and blower combinations to select from, every system is accurately designed to meet the specific requirements of a particular application.



Applications

PARTS DRYING

Critical

100% Dry Applications

- PC Boards
- Optical components
- Critical electronic parts and sub-assemblies

Industrial

Removal of visible liquids (cleaning solutions, lubricated oils, grease, etc.) from part or surface

- Machine fabricated parts
- Powder paint lines
- Wheels
- Engine Blocks
- Radiators
- Transmissions
- Tire products
- Rolled steel
- Glass sheet
- Heat exchangers
- Automobile bodies
- Wood cleaning and coating
- Coating control

BLOW-OFF

Industrial

- Metal shavings
- Wood chips & sawdust
- Dust & Debris
- Oil & Lubricators

Features

- 100% Performance Guarantee
- Delivers clean, dry, oil-free air
- Significant energy savings over compressed air
- 3 Year Warranty Program
- Wide choice of blowers and horse power combinations to select from
- Delivers more volume at higher velocities than any other comparable systems in the industry
- Reduces/eliminates need for heat zones and tunnels
- Versatile
- Small, compact footprint
- Easy to install

Advantages

- Will not re-contaminate a cleaned part
- Far less expensive to operate than high velocity in-plant air systems
- No secondary heat source required for most applications
- Product speeds of 1 to 1000 FPM
- System is designed to match your specific requirements
- Adapts to any line speed
- Adapts to any conveyor
- Hard anodized aluminum or stainless steel air knives
- Low noise levels compared to compressed air
- Low maintenance
- Low shipping, handling and installation costs
- Low initial investment

Benefits

- Reduced energy and operating costs
- Increased throughput with greater efficiencies
- No water spots and moisture related problems
- Utilizes very little space
- Product remains as clean after drying as it was after washing/rinsing
- You only pay for what you need

Specifications

- **Discharge Air Velocities:** 13,000 to 38,000 fpm
- **Discharge Air Volume:** 70 CFM to 1150 CFM
- **Pressures:**
0.5 PSI (13.88" H₂O) to 4.0 PSI (111.04" H₂O)
- **Sound Levels:** OSHA Compliant
- **Temperature Ratings:**
10°F (-12°C) to 105°F (40°C) Ambient



Centrifugal Blowers, Air Knives & Drying Systems

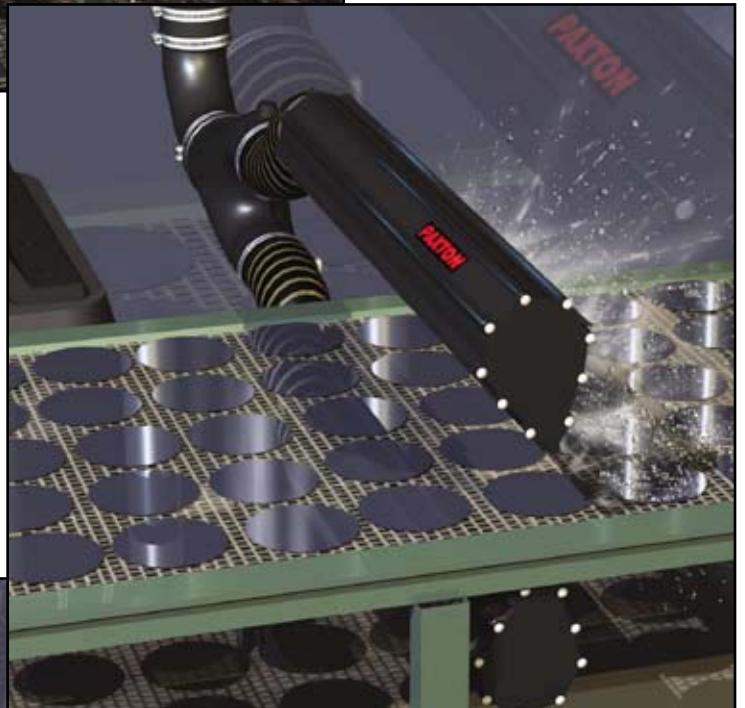
10125 Carver Road
Cincinnati, Ohio 45242 USA

Application Associates

252 Lackland Dr – PO Box 488 – Middlesex, NJ 08846
Phone 732.627.9400 – Fax 732.627.9401

www.paxtonproducts.com

PAXTON AIR KNIFE DRYING SYSTEMS



PAXTON
PRODUCTS

Centrifugal Blowers, Air Knives & Drying Systems

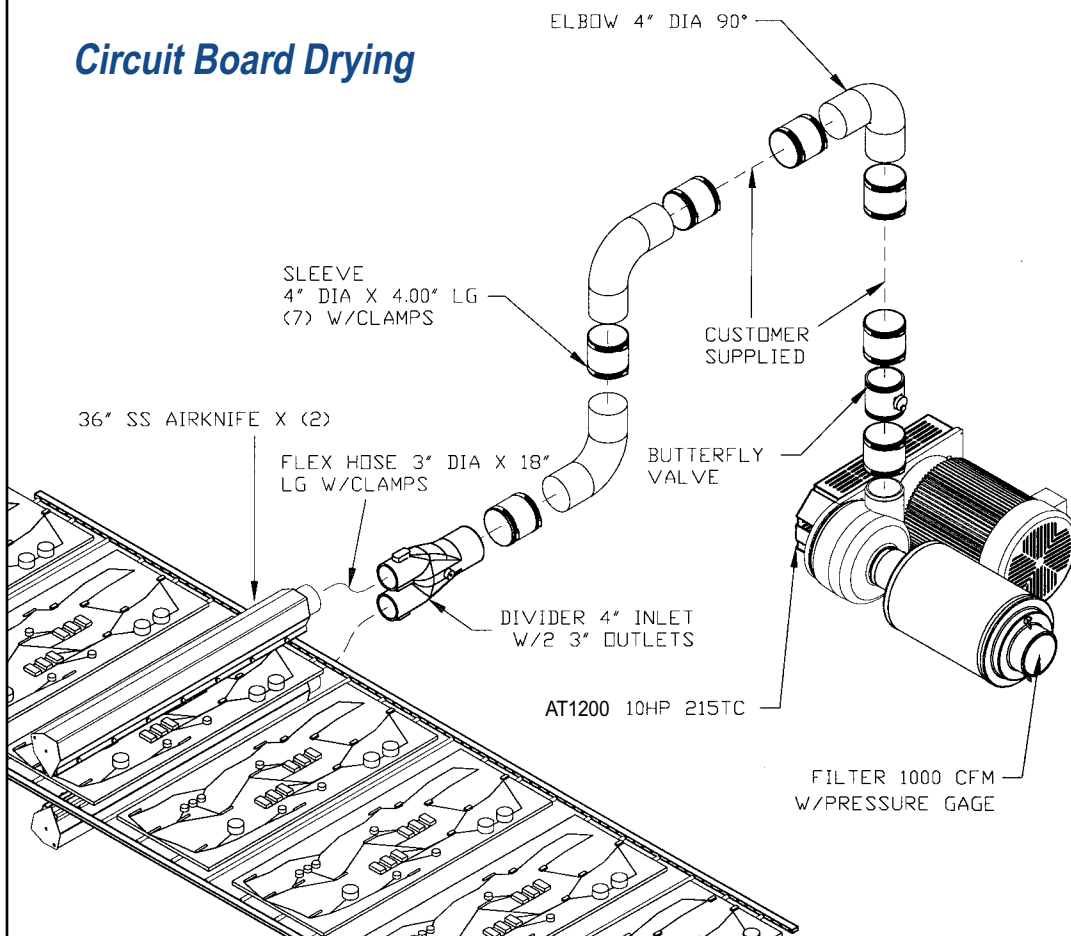
10125 Carver Road
Cincinnati, Ohio 45242 USA

Application Associates

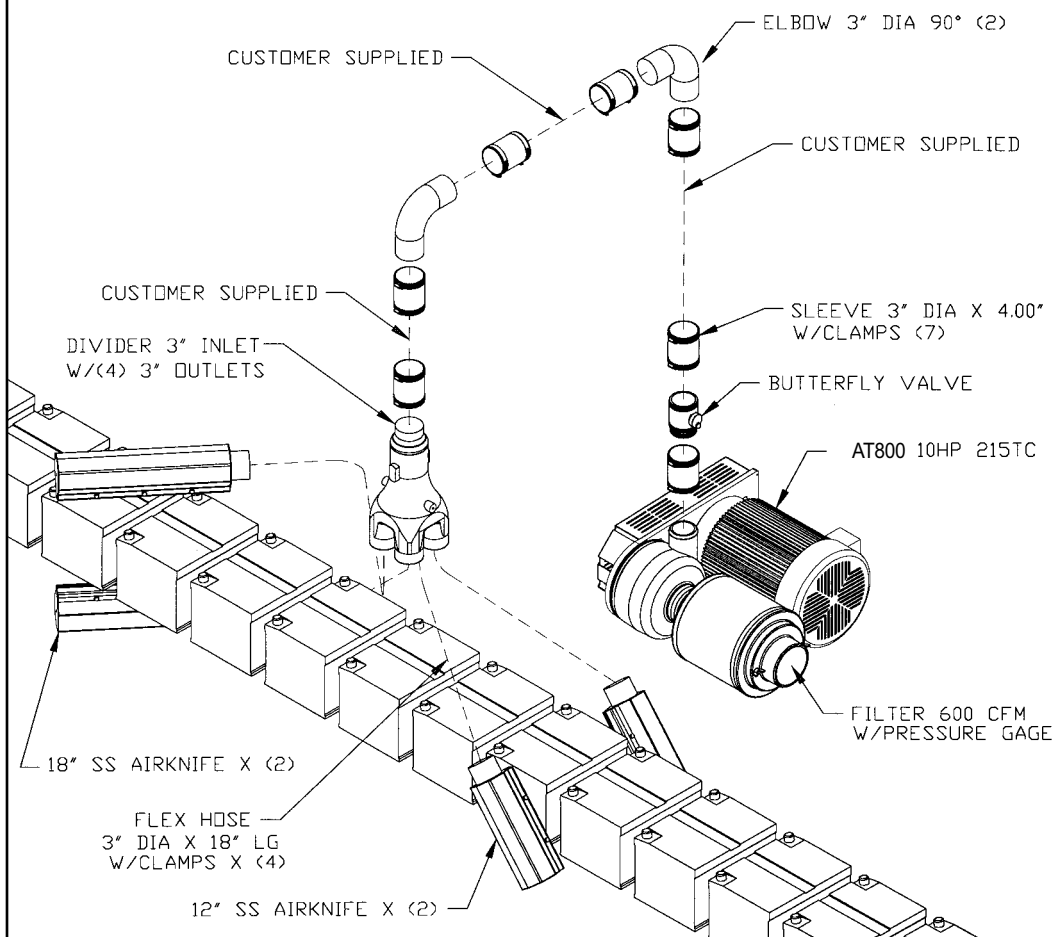
252 Lackland Dr – PO Box 488 – Middlesex, NJ 08846
Phone 732.627.9400 – Fax 732.627.9401



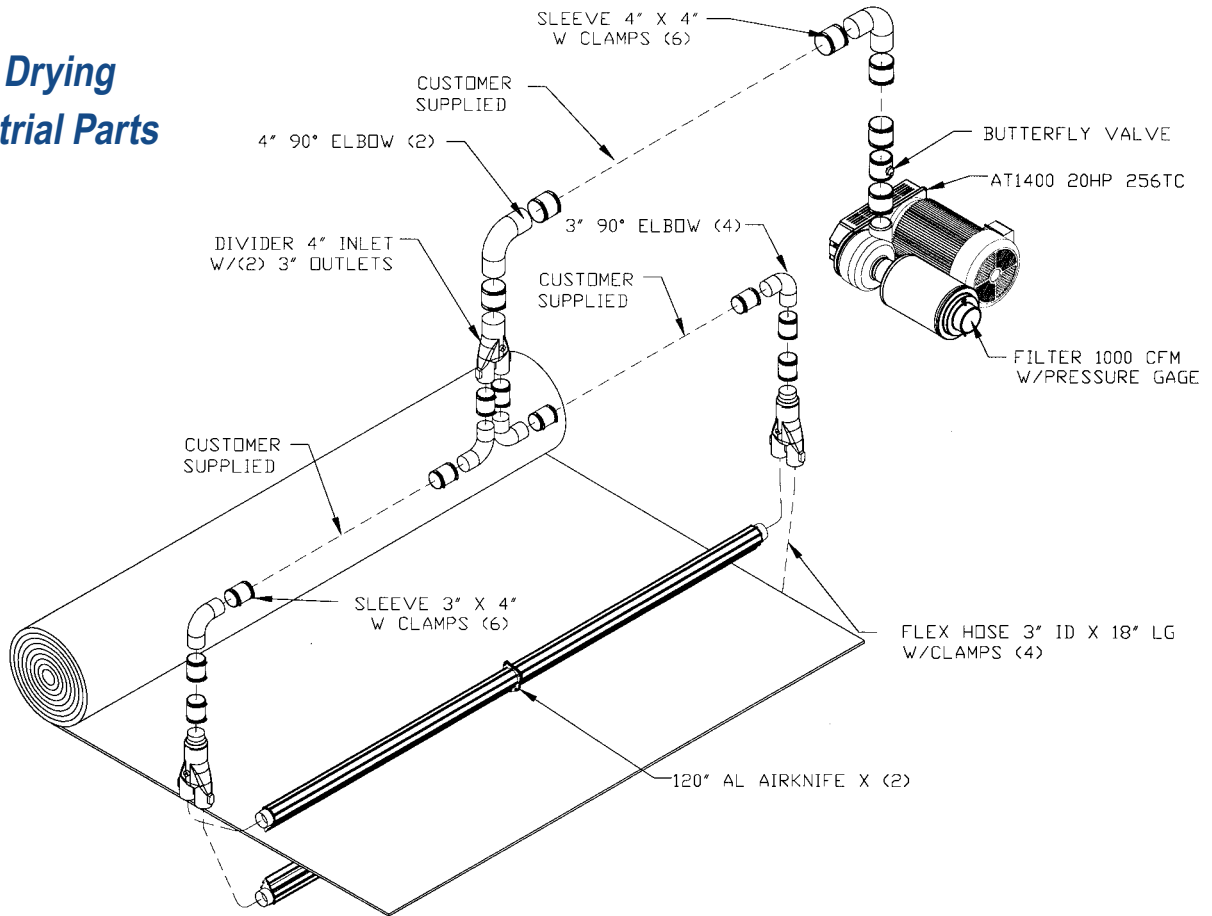
Circuit Board Drying



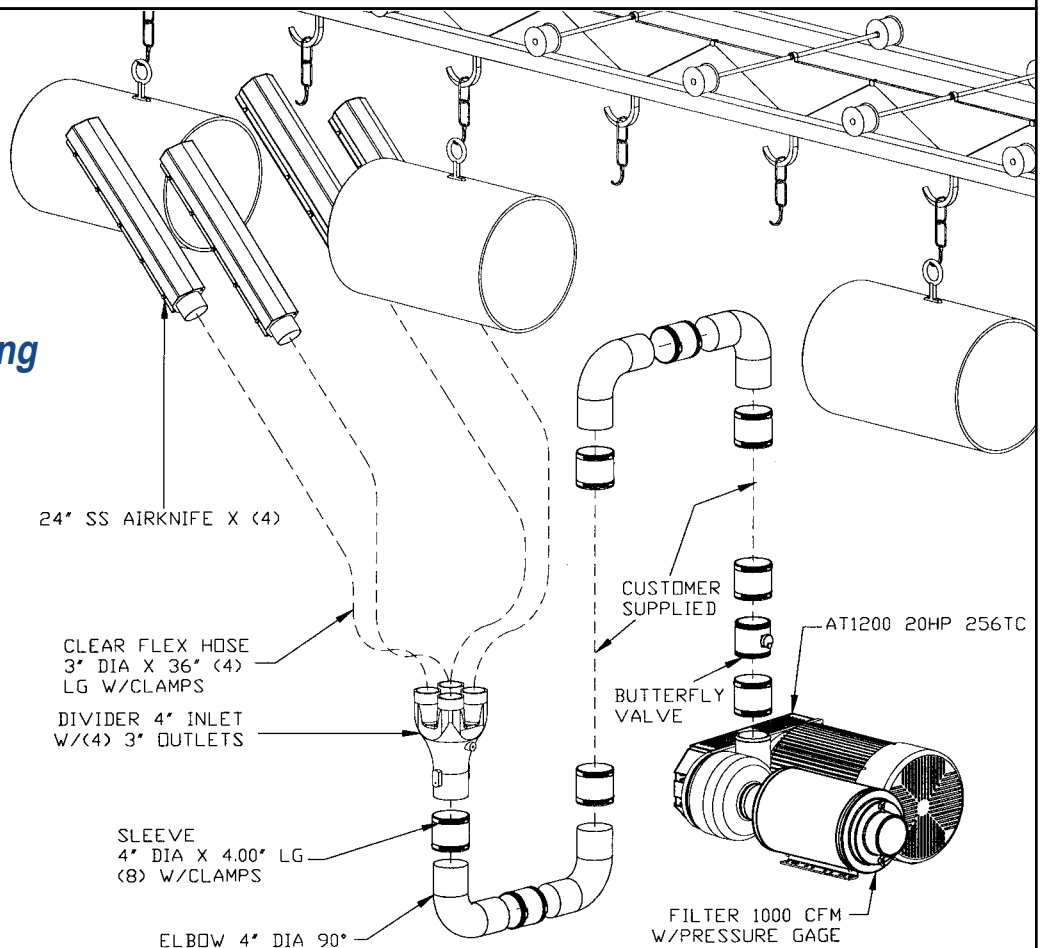
Battery Drying



**Metal Drying
Industrial Parts**



**Overhead Conveying
for
Industrial Parts**



Optional Equipment

- Hard anodized blower components for wash down locations
- Acoustical blower enclosures
- Wash down enclosures
- 316 stainless steel air knives
- Air knife mounting brackets

Accessories

- “Y” Dividers
- Velocity Adjustment Valves
- Hose and Clamps
- Elbows
- Nozzles
- Filters

Technical Assistance

Technical Assistance:

Paxton Sales Engineers and Technical Support staff will work closely with you to ensure that every blower and air knife system is designed and constructed to meet your specific operating requirements.

Ordering Information:

To receive more information or to place an order, contact Paxton Products or the local Paxton representative in your area. Please visit www.paxtonproducts.com for additional information. Be sure to fill out and submit a Quick Quote and a representative will get back to you within 24 hours from the time we receive it.



Application Associates

252 Lackland Dr – PO Box 488 – Middlesex, NJ 08846
Phone 732.627.9400 – Fax 732.627.9401

www.paxtonproducts.com